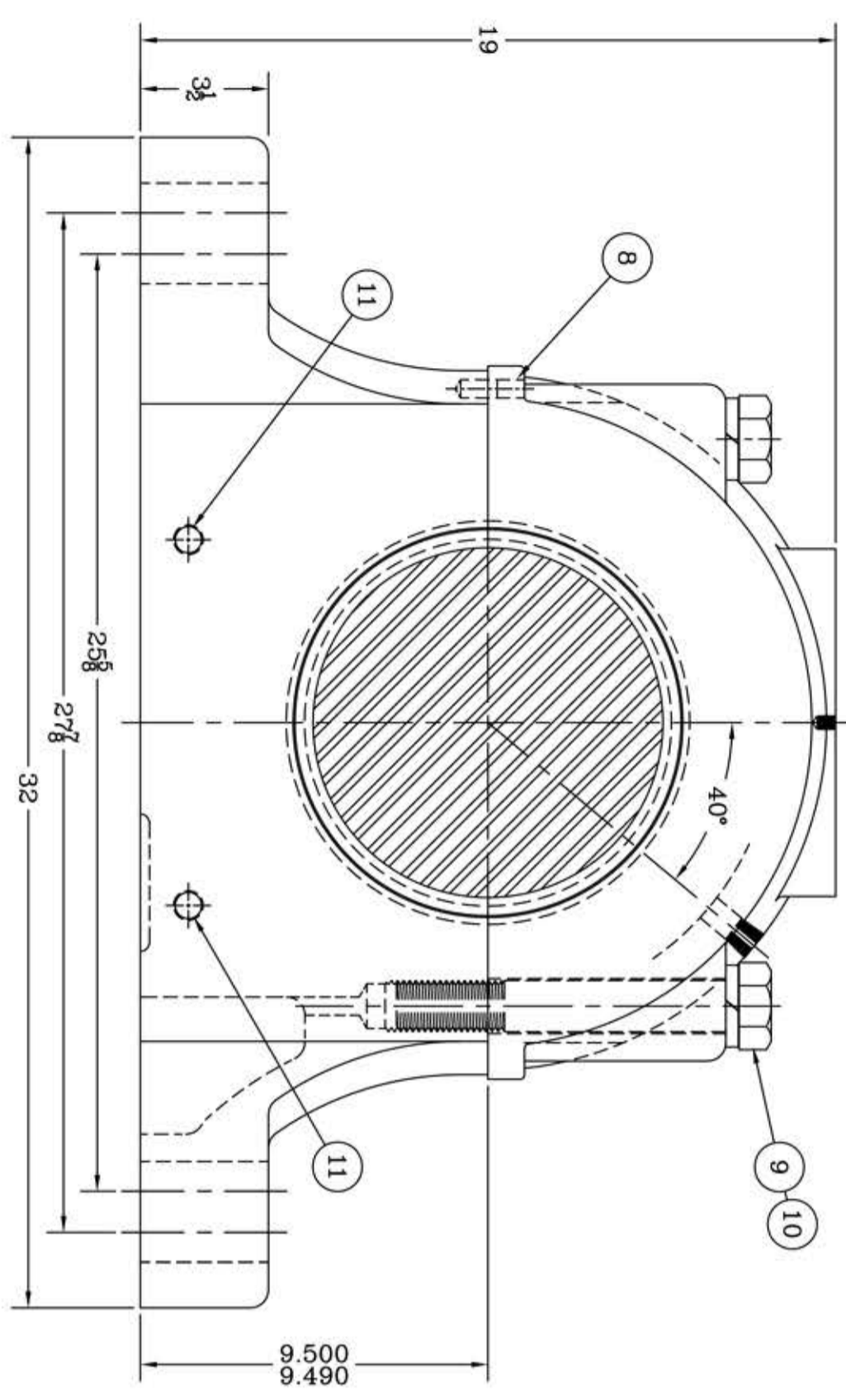
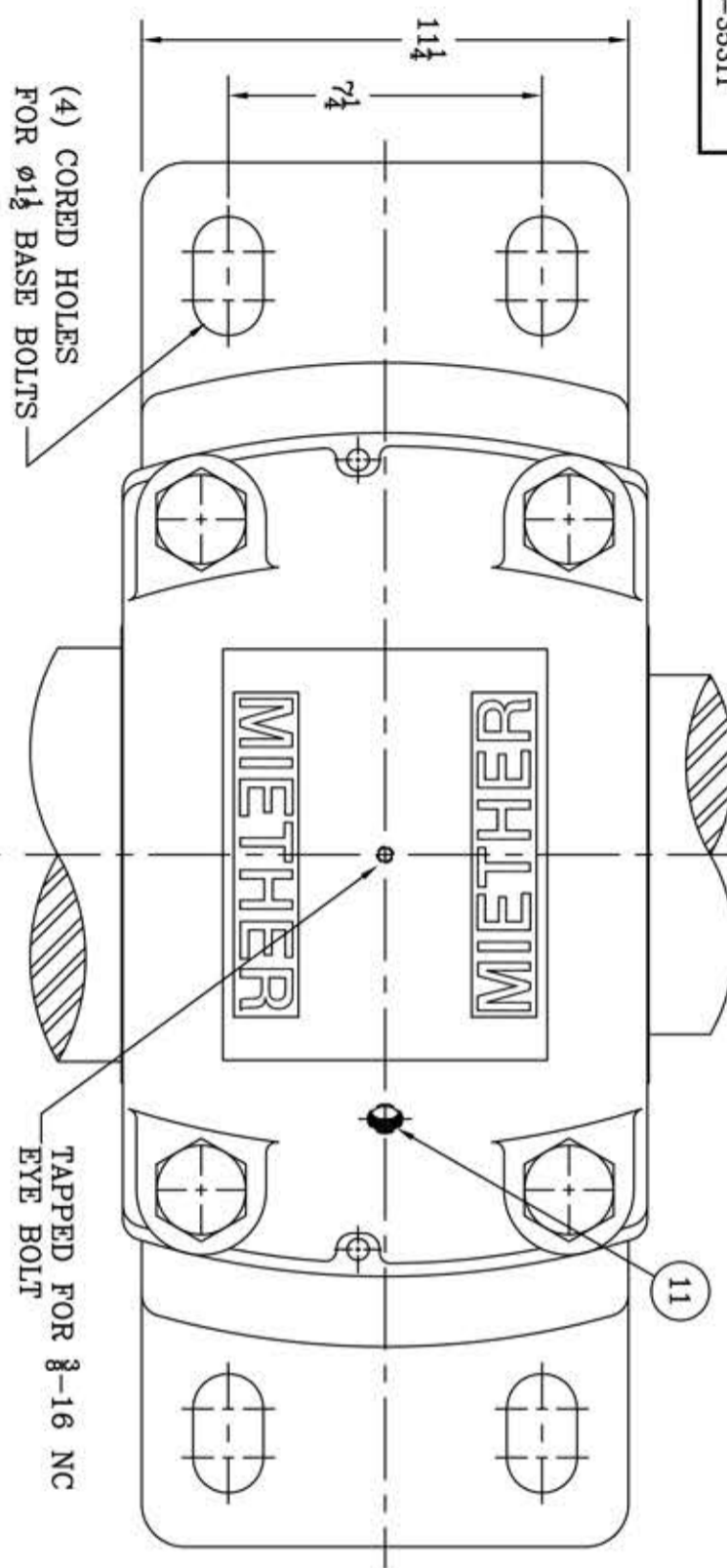
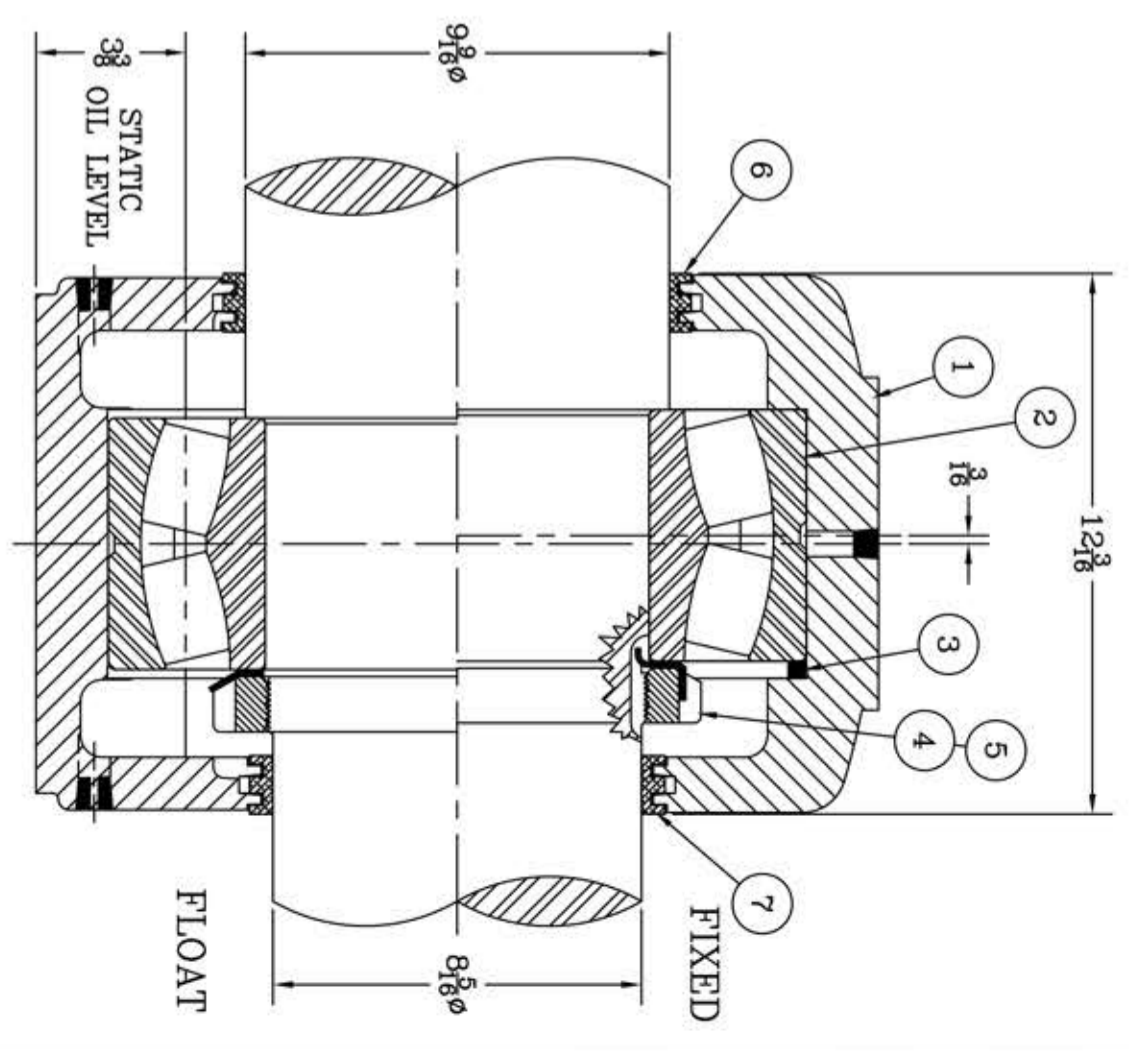


This drawing is the sole property of Miether Bearing Products and contains confidential and proprietary information. It is being provided to you for your use and may not be disclosed to any third party or used for any other purpose without Miether's prior written consent. The [materials] must be returned to the Company upon its demand. Your acceptance of these materials constitutes your acceptance of the foregoing terms.

C-35311



ITEM	DESCRIPTION	DETAIL	REQUIRED
1	HOUSING SDAFD-3244	C-	1 1
2	SPHERICAL ROLLER BEARING	23244/W 33	1 1
3	STABILIZING RING SR-44-38	A-10612	1 0
4	LOCKNUT N-44	B-10425	1 1
5	LOCKWASHER W-44	~~~~~	1 1
6	TRIPLE SEAL RING LER-248	A-12893	1 1
7	TRIPLE SEAL RING LER-239	A-12892	1 1
8	DOWEL	1/2 x 1 LONG	2 2
9	CAP BOLT HEX. HEAD GR.5	1 1/8-6 NC x 9 LONG	4 4
10	LOCKWASHER	1 1/8 SPLIT MED.	4 4
11	PIPE PLUG	1/2-14 NPT	5 5



HOUSING MATERIAL - DUCTILE IRON
ASTM A536 GR 65-45-12

REVISIONS	
SYMBOL	VALUE
✓	16
∇	32
∇	63
∇	125
∇	250
∇	500
∇	1000

TOLERANCE: UNLESS OTHERWISE SPECIFIED
FRACTIONS +- 1/32"
DECIMALS +- .005"
CASTING +- 1/16"
WELD +- 1/16"
ANGLES +- 0° 30'

A.I.S.I. STANDARD FINISHES



SDAFD 23244 09-09 x 08-05	ASSEMBLY DRAWING
SCALE 1 = 3	ASSEMBLY NO.
DRAWN P.C.F.	DRAWING NO.
DATE 1/10/13	CHK: C-35311